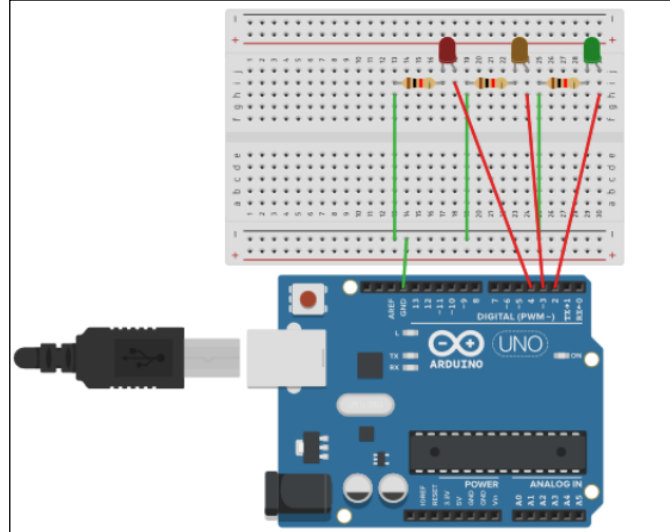


**TP 6 - 3 LEDS : Programmer un feu tricolore :**



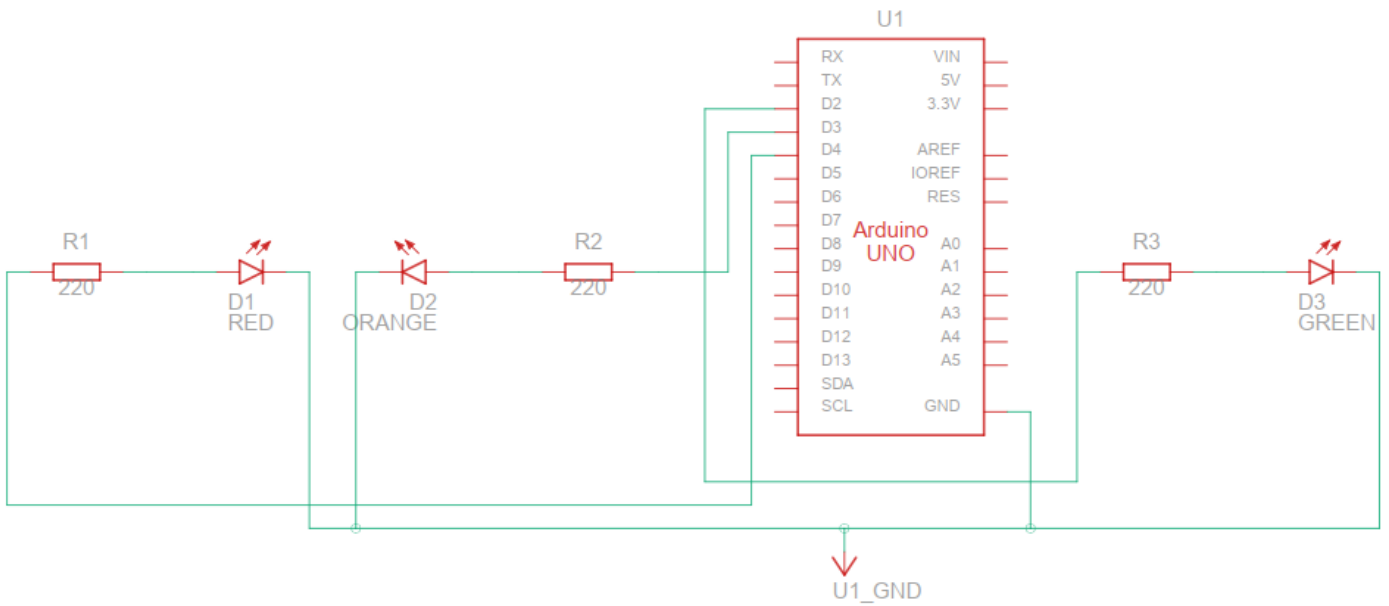
Nom	Quantité	Composant
U1	1	Arduino Uno R3
D1	1	Rouge LED
D2	1	Orange LED
D3	1	Vert LED
R1 R2 R3	3	220 Ω Résistance

<https://www.tinkercad.com/things/9zGSfr97wqx-feu-tricolore-tuto-6-perennes-philippe>



```
// C++ code
//
void setup()
{
  pinMode(2, OUTPUT);
  pinMode(3, OUTPUT);
  pinMode(4, OUTPUT);
}

void loop()
{
  digitalWrite(2, HIGH);
  delay(1000); // Wait for 1000 millisecond(s)
  digitalWrite(2, LOW);
  digitalWrite(3, HIGH);
  delay(1000); // Wait for 1000 millisecond(s)
  digitalWrite(3, LOW);
  digitalWrite(4, HIGH);
  delay(1000); // Wait for 1000 millisecond(s)
  digitalWrite(4, LOW);
}
```



<https://www.tinkercad.com/things/9zGSfr97wqx-feu-tricolore-tuto-6-perennes-philippe>

